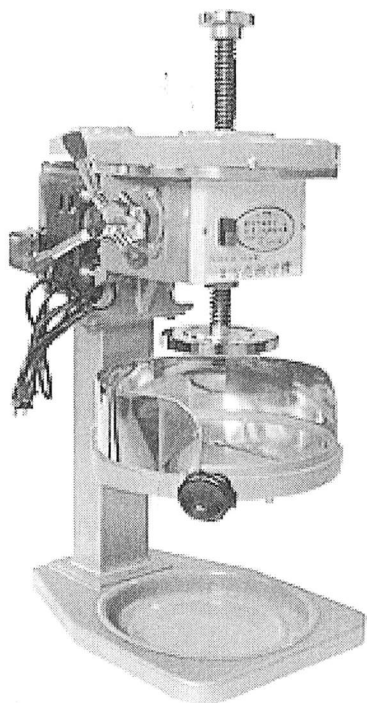




fujimarca

FUJIMARCA BLOCK SHAVER MANUAL

MC-709SE



SAFETY----- P2

MODEL AND ----- P3

OPERATING INSTRUCTIONS----- P4

CLEANING----- P4

CAUTION! ----- P4

ICE ----- P5

WARRANTY ----- P5

709SE Parts List (Picture) ----- P6

709SE Parts List ----- P7

Contact Information ----- P8

SAFETY

- Before operating the machine, please read the following “Instructions for Safety” in the manual very carefully, and operate the machine correctly.

Safety Warnings

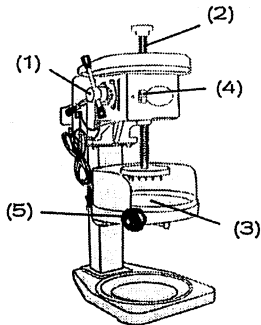
Do not operate the machine in the rain.
This machine is for commercial use. Be sure to keep the machine away from children to avoid electrical shock or injury.
Do not pour water over the machine or immerse machine in water.
Do not damage power supply cord. It may cause electrical shock or fire.
Always keep plug clean and plug into outlet correctly. Dirty plugs or imperfectly connected plugs can cause electric shock or fire.
Do not touch any electrical parts with wet hands.
Never touch the ice spikes while the machine is operating.
Do not put your hands inside the ice guard when machine is operating.
Be careful of the blade when cleaning the ice plate.
Do not use this machine for purposes other than shave ice.
Always operate the machine on a solid flat surface.
Never attempt to disassemble the machine on your own.

To our valued customer,

Thank you for purchasing the Fujimarca MC-709SE Electric Block Ice Shaver. We assure you that your experience while operating this machine would be exceptional. Before using the machine, please take a look at the instructions below to assist you in the machine's operation. Correct operation of the machine helps avoid breakdown due to improper use as well as increasing the longevity of the machine's mechanical parts.

1. MODEL AND SPECS :

Model	MC-709SE
HP	1/4HP
Electrical Current	110V/60Hz 220V/50Hz DC Motor also available
Dimensions	46*33*76 cm
Weight	37 kg



- (1) Gear and pressure assembly
- (2) Main shaft
- (3) Ice plate
- (4) Power switch
- (5) Blade adjustment knob

2. OPERATING INSTRUCTIONS :

- Step1. Raise the main shaft by turning the handles on the gear and pressure assembly counter- clockwise.
- Step2. Place block ice onto the middle of the ice plate, and lower the main shaft by turning the handles on the gear and pressure assembly clockwise.
- Step3. Make sure the spikes on the main shaft are holding the ice tightly and close the ice guard.
- Step4. Turn on the power switch.
- Step5. Using the blade adjustment knob, you would be able to adjust the speed and texture of the ice. By turning the knob to the left, it raises the blade, which increases the coarseness as well as speed of output of the shave ice. Turning the knob towards the right lowers the blade and slows down the output of the ice, but makes the shave ice much finer in texture.

3. CLEANING

Wipe down the machine each day with a dry cloth to remove any water on the machine. Apply grease only if necessary once a month.

CAUTION!

Be careful of the blade when loading and unloading ice into the machine. Always try to leave blade in the lowered position (knob turned all the way right) to prevent being cut by the blade when cleaning or replacing ice on the ice plate.

ICE

Block ice could be purchased commercially at an icehouse or made in your own freezer using ice molds. When purchasing large blocks of ice commercially, always cut the ice no larger than 6 x 6 inches. Failure to use the correct size of ice may cause unnecessary wear on the machine and blade. Ice should be defrosted for 5 minutes if taken out of the freezer. Dry ice cuts into the blade harder as well as making the ice harder to control.

WARRANTY

All Fujimarca's come with a 1-year mechanical warranty.

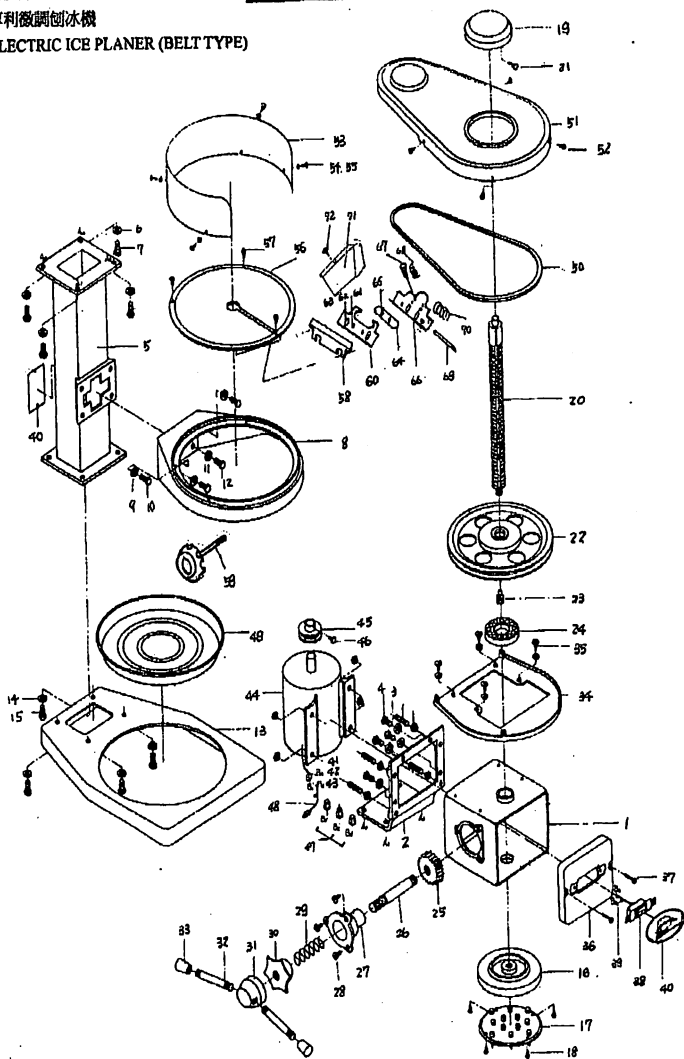
MC-709SE
Parts

MC-709SE

專利微調刨冰機

ELECTRIC ICE PLANER (BELT TYPE)

PARTS DIAGRAM



Number	709SE Parts List
1	Head
2	Head Bracket
3	Washer
4	Screw
5	Column
6	Washer
7	Screw
8	Ice Plate Bracket
9	Washer
10	Screw
11	Washer
12	Screw
13	Bottom Stand
14	Washer
15	Screw
16	Spike Holder
17	Spike
18	Screw
19	Shaft Cover
20	Main Shaft
21	Screw
22	Pulley 10"
23	Protrude Screw
24	Bearing
25	Gear
26	Gear Sleeve
27	Spring Holder
28	Screw
29	Spring
30	Star
31	Knob
32	Handle
33	Red Handle Cap
34	Aluminum Head Plate
35	Screw

Number	709SE Parts List
36	Face Cover
37	Screw
38	Switch
39	Switch Line
40	Sticker
41	Hexagon Screw
42	Washer
43	Screw Cap
44	Motor
45	Pulley 2"
46	Screw
47	Wires
48	Power Cord
49	Catch Tray
50	Belt
51	Head Cover
52	Screw
53	Ice Guard
54	Screw
55	Washer
56	Bronze Ice Plate
57	Screw
58	Blade
59	Blade Adjustment Knob
60	Blade Bracket
61	Round Head Screw
62	Hexagon Screw
63	Washer
64	Blade Bracket 2
65	Round Head Screw
66	Bronze Plate Holder
67	Blade Balancer
68	Balancer Spring
69	Blade Adjustment Bar
70	Blade Spring

Contact Information:

H.T.K. HAWAII

901 Gulick Ave. Honolulu, HI. 96819

(808)841-3888 / (808)841-6622

Fax: (808)841-3533

www.shaveicesupply.com

info@hawaiiansnowflavors.com